

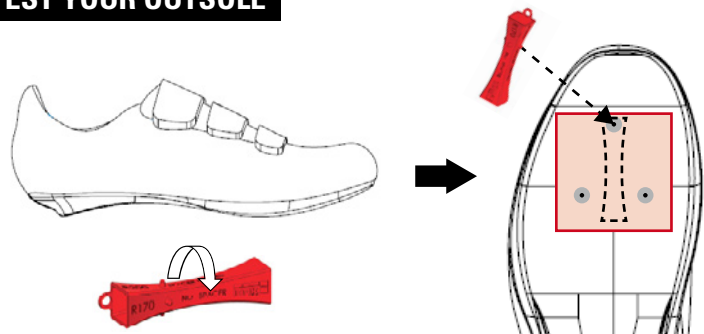
MA NUAL



KEO SPACER

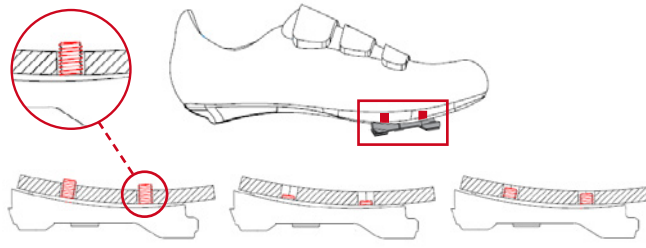
SPACER LOOK KEO

1. TEST YOUR OUTSOLE



OUTSOLE	CURVED ↓ FLAT	R OUTSOLE	SPACER
		155	NO SPACER
		170	NO SPACER
		185	SPACER NEEDED
		200	SPACER NEEDED

PRECAUTIONS



NO

NO

OK

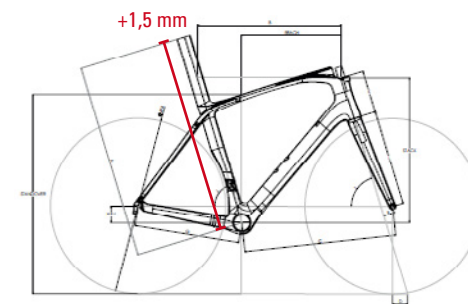


Screw length delivered with LOOK KÉO SPACER



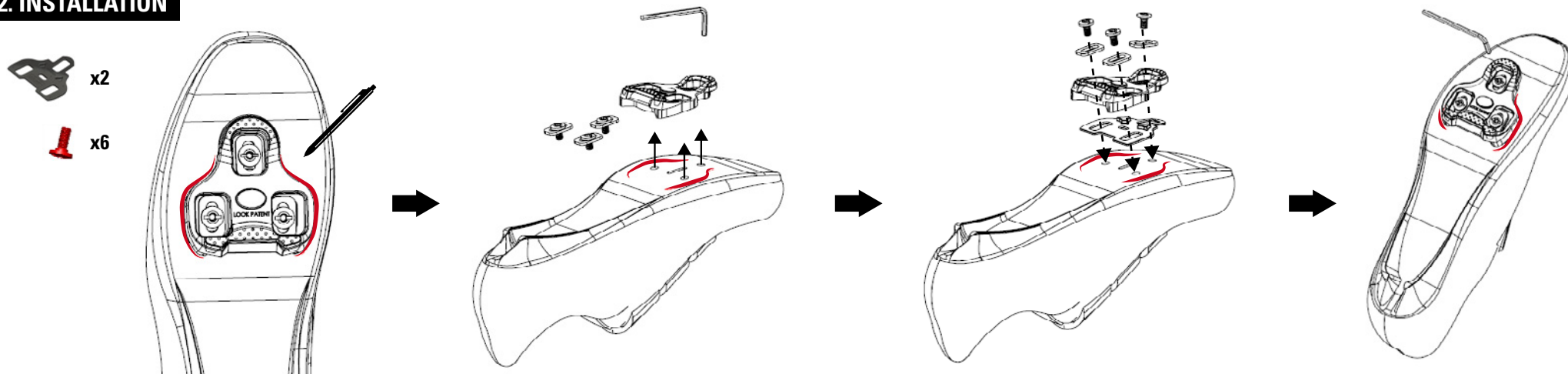
Normal screw length delivered with LOOK KÉO CLEAT

1 / Screw length impact



2 / Seat height impact to keep your position on the bike

2. INSTALLATION



1 / With a pen, save your cleat position

2 / Remove the cleat with an allen key

3 / Now, install your LOOK KÉO cleat with spacer

4 / Tighten, adjust and ready to ride

