

MA NUAL



ADS STEM

EN

CONGRATULATIONS!	> 4
IMPORTANT INFORMATION	> 4
INTRODUCTION TO THE PRODUCT	> 5
PRE-ASSEMBLY CHECK	> 5
TIGHTENING TORQUES	> 5
ASSEMBLY OF THE STEM	> 6
CUTTING THE FORK	> 7
795 BLADE RS EXPANDER	> 8
Expander assembly	> 8
Expander disassembly	> 8
MAINTENANCE	> 9
AFTER SALES SERVICE	> 9
GUARANTEE	> 9

CONGRATULATIONS!

You have chosen a LOOK accessory

Thank you for putting your trust in our products. By choosing this LOOK accessory, you get the advantages of a high tech, French designed product. Like almost all LOOK products, it is identical to those provided to the big professional teams, that are checked throughout their manufacture and it will give you complete satisfaction. Our products meet the various current European and international standards.

LOOK products are protected by industrial property rights

For more information, please go to www.lookcycle.com/patents

Before first use, read the whole of the instructions. Follow all the advice given to take full advantage of this high quality product.

For the assembly we recommend you go to an approved LOOK dealer.

LOOK reserves the right to change the product specifications with no prior notice in order to improve it.


Registering your new LOOK bike


The registration of your LOOK bike will make you one of our preferred customers and also gives you the lifetime guarantee on your frame and fork as well as other services.

For more information on the terms, special offers and coverage of the online registration, please visit our website www.lookcycle.com LOOK WARRANTY POLICY section > ONLINE PRODUCT REGISTRATION.

IMPORTANT INFORMATION

Warning: The ADS stem is only compatible with the 795 BLADE RS fork, it was designed and developed to be assembled with the 795 BLADE RS headset.

 **Warning:** LOOK products are designed and optimised for use by cyclists weighing no more than 100 Kg (220.5 lbs).

 **Warning about Counterfeit Products:** The use of counterfeit products is very dangerous and may cause you, and others, to have serious falls, causing serious injury or even death.

For further information, please visit www.lookcycle.com LOOK WARRANTY POLICY section > COUNTERFEIT GOODS. For further details on IMPORTANT INFORMATION, please visit www.lookcycle.com LOOK WARRANTY POLICY section > IMPORTANT INFORMATION.

If you cannot visit our site, we can provide a printed copy of our warranty policies through your dealer.

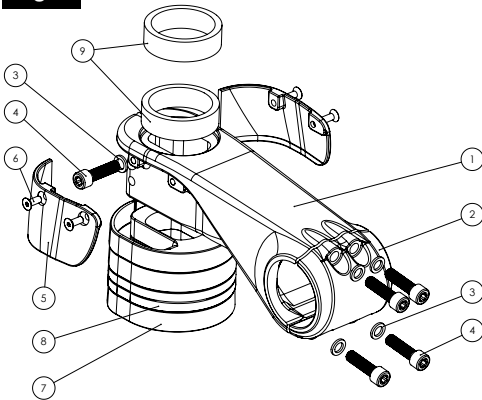
INTRODUCTION TO THE PRODUCT

The ADS stem has been developed to suit the 795 BLADE RS frames, to allow better integration of the routing, while keeping the maintenance of the bike very simple.

This stem comes in the following lengths: 80 / 90 / 100 / 110 / 120 / 130 mm.

PRE-ASSEMBLY CHECK

Fig. 1

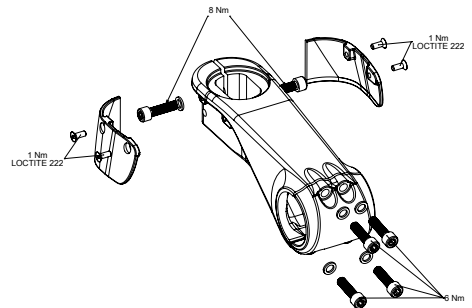


- | | |
|---|--|
| 1 | Body of the ADS stem |
| 2 | Front cover of the ADS stem |
| 3 | Washers (x6) |
| 4 | M5 stem body and cover locking screw (x6) - TORX T25 |
| 5 | Side cover (x2) |
| 6 | M3 Side cover screw (x4) - TORX T10 |
| 7 | Lower 10 mm spacer (x4) |
| 8 | Lower 5 mm spacer (x2) |
| 9 | 1 1/8" Carbon fibre ring 35 mm external Ø (x2) |

TIGHTENING TORQUES

Important: All the adjustments must be carried out using a torque wrench. Excessive tightening of the fork's pivot and may have serious consequences! Please follow the recommended tightening torques.

Fig. 2



Note: The screws 4 (Fig. 1) have all been treated with a threadlock, after assembling and disassembling it a few times, a drop of normal threadlock (LOCTITE 243™ type) will need to be applied.

ASSEMBLY OF THE STEM

You must first fit your headset onto your frame (please refer to the installation instructions for your 795 BLADES RS frame).

The fork's pivot is not cut when the frame is delivered. It allows a height adjustment of 0 to 50 mm using spacers 7 and 8 (Fig. 1). You can, therefore, easily change your stem height and thanks to the slot on the back of spacers 7 and 8 (Fig. 3) you won't have to disconnect the handlebar liner.

1 / Thread onto the pivot of your fork the number of spacers 7 and 8 (Fig. 1) needed for you to position yourself properly.

2 / Place stem 1 (Fig. 1) on the fork pivot ensuring that the rear clamping screws are loosened.

3 / You have two choices: you can leave the fork pivot uncut in which case follow the rest of the instructions, otherwise go to the **CUTTING THE FORK PIVOT** section.

4 / Place on the top of the stem the number of carbon rings 9 (Fig. 1) needed to have a total of 50 mm of spacer for example:

- If you have 20 mm spacers 7 and 8 (Fig. 1), you need to use 30 mm of carbon rings 9 (Fig. 1).

- If you have 5 mm spacer 8 (Fig. 1), you need to use 45 mm of carbon rings 9 (Fig. 1).

5 / Place the expander in the fork (**see § 795 BLADE RS expander**).

6 / Tighten your stem on the pivot to a torque of **8 Nm**.

7 / Apply the carbon assembly paste (supplied with your stem) to the handlebars at the point where the stem attaches, and to the stem (inside of body and clamp), ensuring the screw heads and threads remain clean.

8 / Fit your handlebar onto the stem, tighten the screws to a torque of **6 Nm** in a cross pattern (Fig. 4).

9 / Route your ADH 2 handlebar (recommended) (**See instructions for ADH2 handlebar**), or some other handlebar which will fit a 31.8 mm diameter.

Fig. 3

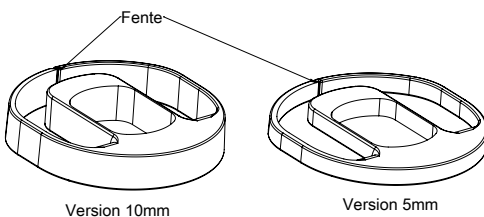
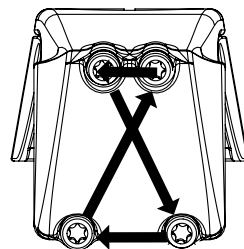


Fig. 4



CUTTING THE FORK

WARNING: Cutting the fork pivot cannot be undone! You will not be able to reach the "high" positions of the stem once the pivot has been cut! If you have any doubt whatsoever about cutting the pivot, try it first with an uncut pivot to make sure that the cut is necessary.

1 / Place the number of spacers 7 and 8 (Fig. 1) that you want to position yourself properly.

2 / Thread your stem on spacers 7 and 8 (Fig. 1), following steps 4, 5 and 6 of the **STEM ASSEMBLY** chapter.

3 / Disassemble your expander and remove the carbon rings from your fork.

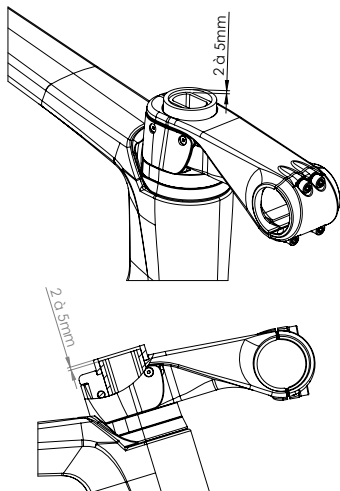
4 / Make a mark on your fork at the same level as your expander support surface.

5 / Cut your fork between 2 and 5mm below this mark.

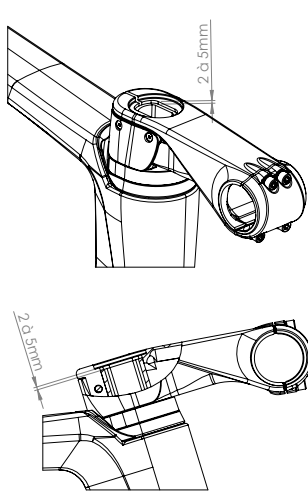
6 / Reassemble your stem and expander according to the recommendations of the instructions (**see § Expander**).

Fig. 4

Recoupe avec bague carbone



Recoupe sans bague carbone



795 BLADE RS EXPANDER

With your 795 BLADE RS you will find a factory assembled expander developed specifically for the 795 BLADE RS pivot.

- | | |
|---|---|
| 1 | Cap - HEX 6mm Allen - max 12 Nm
Grease the threads |
| 2 | Compression bolt- 5 mm Allen HEX wrench - to 8 Nm
Grease the head and threads |
| 3 | Upper cone |
| 4 | Locking rim (x2) |
| 5 | O ring |
| 6 | Lower cone - Grease the internal threads |

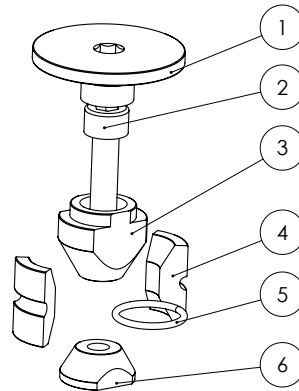


Fig. 12

EXPANDER INSTALLATION

1 / Check that your fork is suitably cut, and that the cut is between 2 and 5 mm below the support surface of your expander (Fig.13)

2 / Use a cloth to lightly wipe the inside of the fork steerer in the area where the expander is to be inserted. Do not apply grease on the steerer or expander assembly.

3 / Loosen locking screw 2 (Fig. 12), so that the expander can be slid into the fork pivot without having to force it.

4 / Lock the expander into the steerer tube by tightening the compression bolt 2 (Fig.12).

5 / Disassemble the top cap 1 (Fig.12) of the expander.

6 / Using a torque wrench with a 5mm Allen head, tighten the compression bolt 2 (Fig.12) to **8 Nm**.

7 / Reassemble the cap 1 (Fig.12) while greasing the threads.

8 / Adjust the play in the headset by tightening the cap 1 (Fig.12) using a torque wrench with a 6mm Allen head. **Do not exceed the maximum tightening torque limit of 12 Nm.**

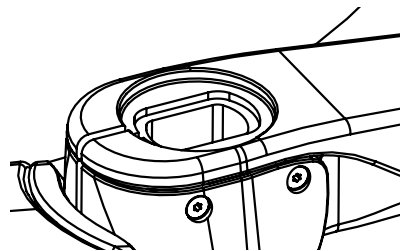


Fig. 13

EXPANDER REMOVAL

1 / Unscrew locking screw 2 (Fig. 12) so that the expander can be removed from the fork.

When performing routine maintenance, disassemble the expander, clean it, and then reassemble using the lubrication recommendations in the preceding table.

MAINTENANCE

Checking and maintenance are important for your safety and the useful life of your product.

Poorly maintained bikes and components can break or malfunction, which could lead to an accident in which you could be killed, seriously injured or paralysed.

For further information on maintenance requirements, please visit www.lookcycle.com LOOK WARRANTY POLICY section > MAINTENANCE.

AFTER SALES SERVICE

In spite of all the care we take during manufacture, if a defect appears or if a repair is necessary, contact your authorized LOOK dealer taking the defective product to them with your purchase receipt and tell them about the malfunction.

GUARANTEE

Statutory guarantee

LOOK, through its authorised agents and distributors in the country in which the product was purchased, guarantees its bicycles/frames against faults and hidden defects (1) for a period of two years (2) from the date of purchase.

(1) Hidden defects are only covered under French law. § 1641 to 1649 of the civil code.

(2) Some countries or states allow a longer time limit for an implicit warranty, and/or for the exclusion or limitation of direct or consecutive damages which implies that the limit described above would not apply. This limited warranty gives you specific legal rights, but possibly other rights too, which vary according to local legislation.

For further information on maintenance requirements, please visit www.lookcycle.com LOOK WARRANTY POLICY section > LEGAL WARRANTY.

Lifetime guarantee

The quality and reliability of our products that we oversee from design to marketing allow us, through our agents and authorised distributors, to offer you, in addition to the legally required guarantees, a free lifetime warranty on LOOK bike frames and forks.

For further information on maintenance requirements, please visit www.lookcycle.com LOOK WARRANTY POLICY section > LIFETIME FRAME WARRANTY.

Ref. : 00021959

lookcycle.com