

MA NUAL



E POST 2 EVO

Congratulations!

You have selected a LOOK accessory.

We thank you for your confidence in our products.

By choosing this LOOK accessory, you get a high-tech product, designed in France. Like the vast majority of LOOK products, it is identical to those supplied to major professional teams, and undergoes regular quality-control checks throughout its manufacturing process to assure your total satisfaction.

Our products comply with current and various European and international standards.

LOOK products are protected by industrial property rights. For more information, go to:

www.lookcycle.com/patents

Warning:

- **This LOOK product is designed and optimized to be used by cyclists not exceeding 100 kg (220.5 lbs.)**
- **If you weigh more than 85 kg (187 lbs.), you must be especially vigilant and have it inspected more frequently (than someone weighing less than 85 kg/187 lbs.) to search for any cracks, deformations, or any other signs of fatigue or stress.**

LIFE SPAN - WEAR - INSPECTION REQUIRED

The life span of LOOK components depends on many factors, such as how it is used and the morphology of the cyclist. Impacts, falls, improper use, or any sudden impact in general, may compromise the structural integrity of the components and significantly reduce their life expectancy.

Some components are also subject to wear over time. Have your bicycle inspected regularly by an authorized LOOK retailer to verify the absence of cracks, deformations of any kind, and/or signs of fatigue or wear. If an inspection reveals any deformations, cracks, signs of impact or stress marks, even minor in appearance, immediately replace the component in question; components that have experienced excessive wear must also be immediately replaced. The frequency of inspection depends on many factors. See your authorized LOOK dealer. The components to be replaced must be done so by an authorized LOOK retailer.

The list of replaceable components is available at any authorized LOOK retailer.

PLEASE READ CAREFULLY BEFORE USING!

Cycling is a dangerous activity by nature. To reduce the risk of injury, be sure to maintain your bicycle properly, and install and adjust all components correctly. While practicing the sport of cycling, always wear a helmet and know and respect the rules of the road. Beware of the dangers of the road and traffic. Learn about the laws currently in force in the country where you are located. If you ride at night, it is not enough to see, but vital to be seen by others. Standard reflectors are not sufficient and cannot replace quality front and rear lights. Wearing reflective clothing is strongly recommended and potentially mandatory in some areas or countries.

PRODUCT OVERVIEW

The E-Post is the concept of an integrated seat post, patented by LOOK, that allows the seat post to be supported by the seat tube of the frame. There is, therefore, no risk of the post slipping into the frame. Anti-rotation is ensured by the non-circular shape of the post and seat tube.

The concept incorporates an elastomer sleeve that ensures the filtration of vibrations, increasing comfort when riding the bicycle.

The E-Post 2 EVO offers a setback of -15 mm. This model is not reversible. It is compatible with the standard Selle Italia Monolink® saddle via an optional adapter kit.

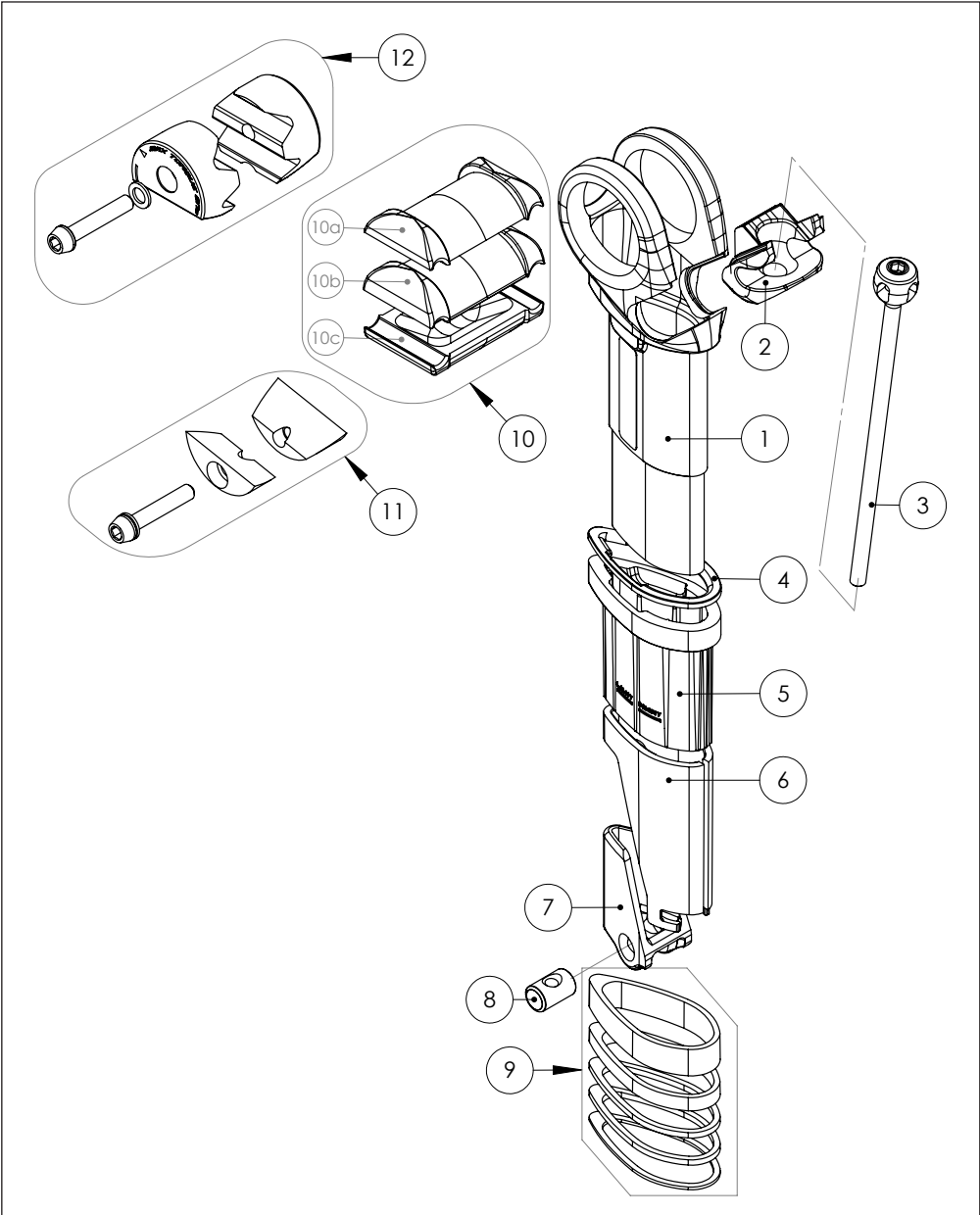
The E-Post 2 EVO is only compatible with the LOOK 795 bicycle.

Before use, read the instructions thoroughly, and follow the advice given, in order to take full advantage of the features of this high-quality product.

LOOK reserves the right to change product specifications without prior notice for the purposes of improving it.

EXPLODED VIEW OF THE E-POST 2 EVO SEATPOST

- | | |
|---|---|
| 1: The E-POST 2 - carbon body | 8: Cylindrical nut |
| 2: Screw fixation shell | 9: Height adjustment spacer kit |
| 3. Set Screw | 10: Seat clamps for double railed saddles |
| 4: Elastomer sleeve support ring | (10a: upper bracket for round rails / 10b: upper bracket for oval rails / 10c: lower bracket) |
| 5: Shock absorbing elastomer sleeve | 11: Lower saddle mounting brackets |
| 6. Clamping Rail (integrated securing -*screws for Shimano Di2 battery) | 12: Optional kit: brackets for Monolink saddles |
| 7. Seat clamp | |



INSTALLING A DOUBLE OR AN OVAL RAILED SADDLE

1. Position the saddle on the E-Post 2 EVO, the rails on the outside of the seatpost. (Fig.1)
2. Insert the upper support (10) indicated in Fig 5.1 if you want to use a seatpost with round rails $\varnothing 7$ mm and the support (10b) indicated in Fig 5.2 for a saddle with oval rails. (Fig.2)
3. Then insert the lower support (10c) under the saddle rails. (Fig.3)
4. Put both lower brackets (11) in place and tighten the previously greased set screw to the specified torque of 8Nm once your seat is properly positioned. (Fig.4)

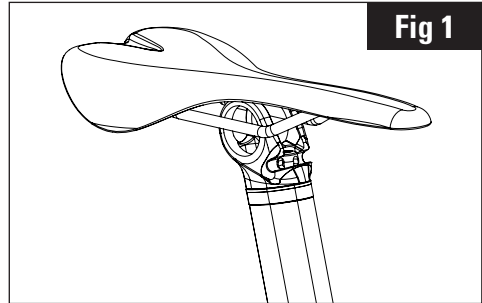


Fig 1

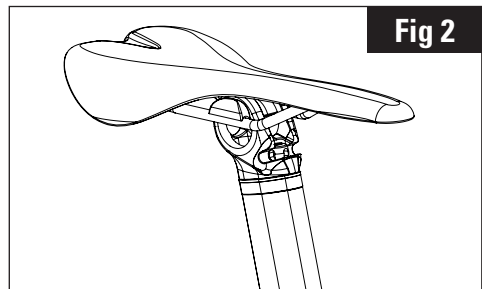


Fig 2

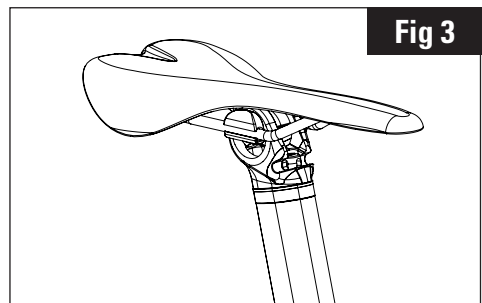


Fig 3

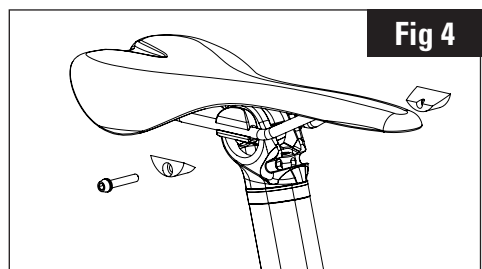


Fig 4

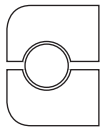
 $\varnothing 7$

Fig 5.1

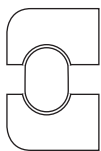
 \varnothing OVERSIZE

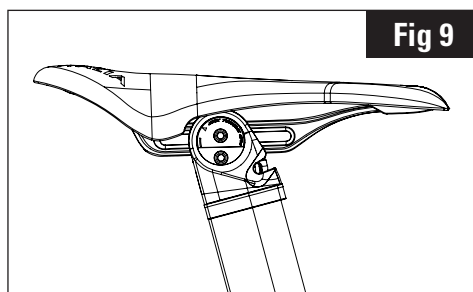
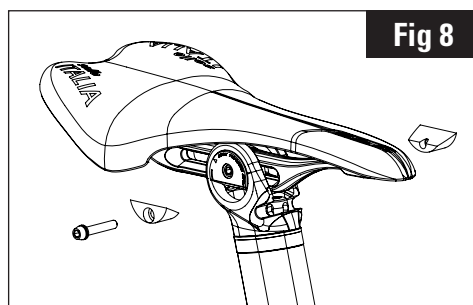
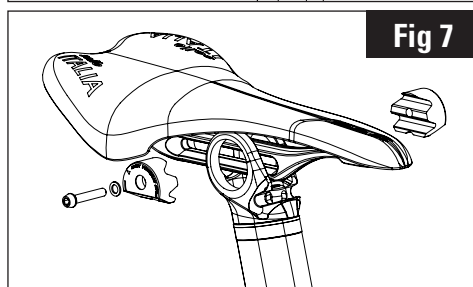
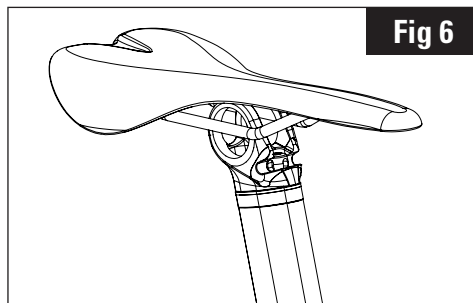
Fig 5.2

Warning:

The E-POST 2 EVO is not compatible with oval railed saddles with a rail height greater than 9.6 mm.

INSTALLING A MONOLINK® SADDLE (requires optional adapter kit)

1. Grease the screws (7)
2. Position the Monolink® saddle on the E-Post 2 EVO (Fig.6)
3. Put both upper brackets (12) in place and loosely tighten the screw. (Fig.7)
4. Then fix the two lower brackets (11) in place and loosely tighten the screw. (Fig.8)
5. Adjust your saddle as necessary. First block the fore and aft movement by hand tightening the upper screw, then do the same with the lower screw once the desired angle is determined. Tighten the two screws to the torque of 8Nm. (Fig. 9)



REMOVING THE SADDLE

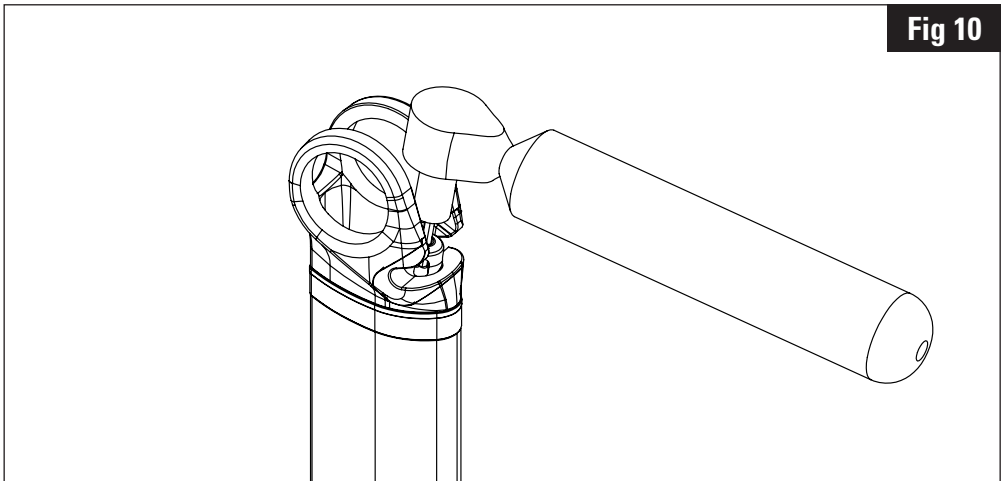
To remove your saddle, or adjust its position, loosen the screw, a few turns, that holds the upper brackets in place (11).

Gently apply force, alternating between the front and back of the saddle, to loosen the seat brackets. If they do not come free, due to over tightening, use a small headed mallet and tap lightly on the screw head, still bound by a few threads, at various angles in order to free the opposite side.

INSTALLATION/REMOVAL OF THE E-POST 2 EVO

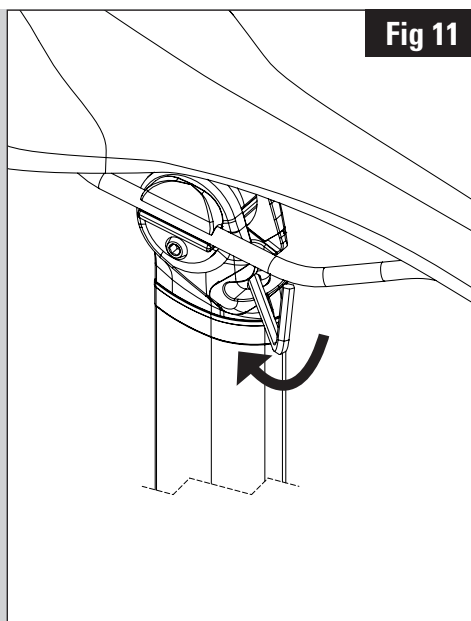
The tightening of the E-Post 2 EVO is done with a single screw.

1. Insert the seatpost in the frame.
2. Tighten the screws to 4Nm using a torque wrench and a 4mm hex or Allen key.



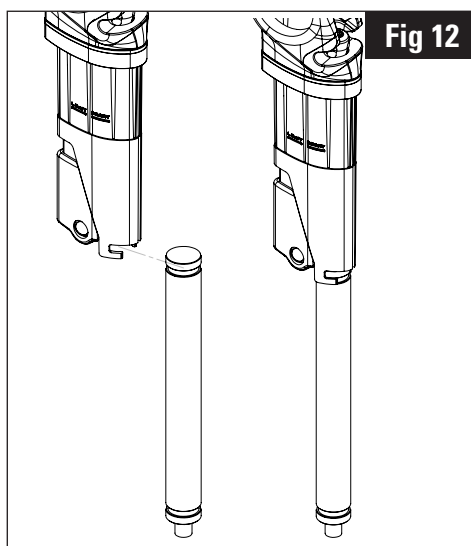
Notes :

- When a saddle is already installed on the bicycle, you cannot use a torque wrench. However, it is still possible to tighten/loosen the seatpost. To do this, use a 4mm hex or Allen key by inserting it into the opening of the screw head. Tighten moderately so as to not exceed 4Nm.
- To remove your seatpost, loosen the screw as needed. THE E-POST 2 EVO should easily come free. If it does not, loosen the screw some more.

**Fig 11****MOUNTING A SHIMANO BATTERY**

The E-POST 2 EVO has an integrated mounting system for the Shimano batteries SM-BTR2 or BT-DN110.

To mount your battery, secure it to the battery support (6).

**Fig 12**

CUTTING THE SEAT TUBE HEIGHT

Your new bicycle requires that the seat tube be cut to fit your personal seat height. For this operation, it is best that you contact your authorized LOOK retailer.

1. Introduce the seatpost into the frame and adjust the horizontal position of the saddle.
2. Before cutting, measure the saddle height of the new bicycle with the saddle in place.
3. Calculate the length "L" to be cut using the following formula: $L = \text{seat height on the new bike} - \text{personal seat height}$
4. Remove the seat post.
5. Place a strip of adhesive tape, centered on the length "L", in order to protect the post while cutting
6. Install the cutting tool as necessary and according to the "L" position and tighten to 3 Nm. (Fig.13)
7. Cut the tube using a saw (24 or 32 teeth/inch) inserted into the tool's sawing slot. Position the bicycle in the stand in such a way as to saw in a vertical position.
8. Remove the cutting tool and deburr the end of the tube with a piece of fine grain sand paper. Verify that the end of the tube is clean and free of paint.

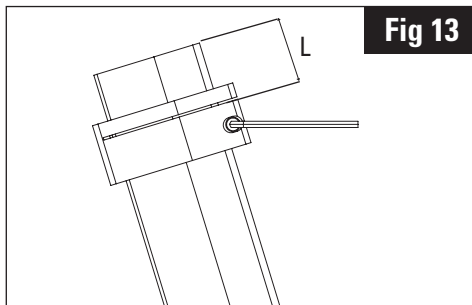


Fig 13

Note : The maximum overlap "L" of the tube is 150 mm in relation to the original length.

ADJUSTMENT OF THE SEAT TUBE HEIGHT

You can adjust the saddle height by adding more spacers. THE E-POST 2 EVO comes with the following spacers: 1mm (qty. 1) / 2mm (qty. 2) / 5mm (qty. 1) / 10mm (qty. 3). The maximum height allowed for the added spacers is 30mm (i.e. 3x10mm spacers, stacked). To adjust your seat height:

1. Loosen the 2 EVO E-Post and remove it from the frame.
2. Place the spacers on the seatpost as indicated on fig. 14.
3. Install the seat post as per the procedure previously provided.

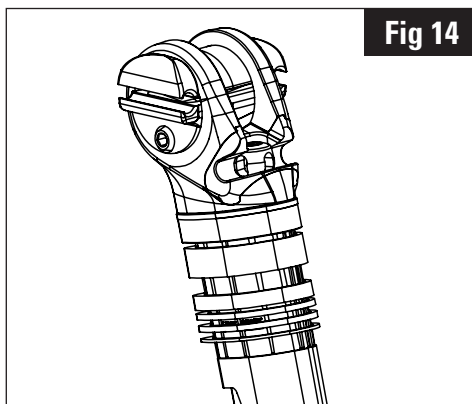


Fig 14

MAINTENANCE

Always clean your bike and its accessories with soap or a mild detergent and water.

Use a soft cloth. Rinse with water and dry it with the soft cloth. Any heat source can irreparably damage the bicycle and its components.

Do not use a high-pressure cleaning device, or abrasive products.

REGULAR INSPECTION AND MAINTENANCE ARE IMPORTANT FOR YOUR SAFETY AND THE LIFE SPAN OF YOUR PRODUCT. A BICYCLE AND ITS COMPONENTS THAT ARE POORLY MAINTAINED CAN BREAK OR MALFUNCTION, WHICH COULD LEAD TO AN ACCIDENT IN WHICH YOU COULD BE KILLED, SERIOUSLY INJURED OR PARALYZED.

POST SALE PRODUCT SUPPORT

Despite all the care taken in our manufacturing process, if a defect appears or if a repair is required, please contact your authorized LOOK dealer and bring the defective product, along with your proof of purchase receipt, and specify its dysfunction.

WARRANTY

LOOK LIMITED WARRANTY

WARNING

We recommend registering your bike with our services. If you do not do so, we will not be able to contact you to provide you with important information in the event of a product recall or update.

PLEASE REFER TO THE REGISTRATION MANUAL.

The E-Post 2 EVO is warrantable for up to two years from the date of purchase against any manufacturing or structural defects. LOOK, through its network of authorized dealers, in the country in which the product was purchased, warranties the original purchaser or user of the product against all manufacturing or structural defects.

This warranty does not apply to "Special Race Service" products and/or purchased by professional or amateur teams, professional athletes, clubs, and/or via any rental program, even if the product is new.

The warranty applies only if the product was assembled according to the instructions above. The warranty does not apply to products subjected to improper use or maintenance.

The warranty is void if the product:

- Underwent a technical and/or structural modification, or if it has been repaired or repainted at a non-LOOK authorized or approved repair center.
- Has been repaired and/or used with non-authorized spare parts.
- The product serial number has been removed, erased, altered or rendered illegible.

This limited warranty does not apply to normal wear and tear, to parts that have been restored or subject to repairs or improper modification or any damage caused by an accident, abusive or inappropriate use, or a lack of due diligence. "Spinning" (stationary bicycle) is included among the inappropriate uses that voids the warranty.

The only recourse within the limits of the LOOK limited warranty, where any warranty is limited to the repair or exchange, at the sole discretion of LOOK, of all or part of the product concerned. Under no circumstances, can LOOK and its agents or distributors be held liable for any direct or ensuing damage, for any product shipping or transport costs, and that the claim is based on the contract, the warranty, a negligence or product liability claim, including, without limitation, loss or damage to property other than the warrantable product itself, the loss of use of the property, or any other financial loss.

Regardless of the cause, neither LOOK, nor any agent or distributor, can be considered liable for any financial contribution or compensation for a product. The rights allocated by the warranty and associated benefits cannot be transferred or transmitted.

LOOK's obligations under any warranty are limited, according to the wider acceptance of the law, to those specified in this LOOK limited warranty.

However, some countries or states do not permit any time limit for an implicit warranty, and/or for the exclusion or limitation of direct or consecutive damages which implies that the limitations and exclusions listed above would not apply in this case. This limited warranty gives you specific legal rights, but possibly other rights too, which vary according to local legislation.

Disclaimer

- The information contained in this manual is given as an indication only. The products described are subject to change without prior notice from the manufacturer, due to ongoing technical improvements.
- LOOK grants no warranty or liability in case of damage related to or caused by the use of this manual or the products described in it.

- LOOK is in no way responsible for damages, losses, expenses or costs, direct or indirect, in the general scope, ensuing or specific, caused by or related to the use of this manual and the products described in it.

WARNING ABOUT COUNTERFEIT PRODUCTS

THE USE OF COUNTERFEIT PRODUCTS IS VERY DANGEROUS AND CAN PROVOKE SERIOUS FALLS CAUSING SIGNIFICANT INJURY OR EVEN DEATH TO YOU AND OTHER PERSONS (THIRD PARTIES)

LOOK products are protected by industrial property rights. <http://www.lookcycle.com/patents/> Hence, in the case of purchase, use, or sale of a counterfeit product, we reserve the opportunity to take all measures that we deem appropriate in order to stop the violation of our rights and to receive compensation for the damage suffered as defined in the Clauses L613-3 to L613-6, L615-14 and L716-9.

It goes without saying that counterfeit products do not benefit from any LOOK warranty and implies the cancellation of all LOOK warranties on any valid LOOK product used with counterfeit products. It also involves the annulment of all accidental, physical, moral, civil and physical liabilities on the part of the company LOOK CYCLE INTERNATIONAL. The sale of products on exotic websites, foreign in origin or character, is likely to be unlawful and the products counterfeit.

For you to avoid any fraud, and without this advice being limited, we recommend that you to be very vigilant:

- On websites offering products advertised as LOOK products at prices well below market value.
- Regarding sales by private individuals that have no proof of purchase, nor any record of maintenance and information about the origin of the product.

For any questions, you can contact us via our website or that of any of our authorized retail dealers in the country where you are located (list of our authorized LOOK retail dealers and Distributors on WWW.LOOKCYCLE.COM) and provide us with the serial number and/or photos for verification.

This manual may not be used or reproduced, even partially, in any form whatsoever and by any means whatsoever, without the prior written consent of LOOK.

This material complies with the guidelines in the provisions 93/42/EC. 