

# MA NUAL



**E-765** GRAVEL

# **EN**

---

CONGRATULATIONS!	> 4
IMPORTANT INFORMATION	> 4
INTRODUCTION TO PRODUCT	> 5
PRE-INSTALLATION LAYOUTS	> 6
BATTERY MOTOR UNIT - DRIVE AXLE	> 7
ADJUSTING THE SEAT POST HEIGHT	> 7
STEM	> 8
EAB CONTROLS	> 9
HEADSET	> 10
MECHANICAL/ELECTRIC ROUTING	> 11
E-765 GRAVEL FORKS	> 11
BRAKE ASSEMBLY	> 12
HYDRATION	> 12
FITTING THE WHEELS	> 13
MAINTENANCE	> 13
AFTER-SALES SERVICE	> 13
WARRANTY	> 14

---

## CONGRATULATIONS!

---

You have chosen your bike from our range of E-765 GRAVEL electric bikes. Thank you for your trust in our products. When you chose this new LOOK kit, you chose to enjoy the benefits of a high-tech product with French design. Your frame and its LOOK accessories are carefully checked during the manufacturing process, and we are confident that you will be fully satisfied with them. Our products meet and even exceed the various current European and international standards relating to electric-assist bikes:

- Machinery directive 2006/42/EC
- Electromagnetic compatibility directive 2014/30/EC
- Restriction of Hazardous Substances in electrical and electronic equipment directive 2011/65/EU
- NF EN 15194, Cycles-Electrically power assisted cycle – EPAC bicycles
- ISO/FDIS 4210 part 1-9, Cycles-Safety requirements for bicycles

**LOOK products are protected by industrial property rights.**

**For further information, go to [www.lookcycle.com/patents](http://www.lookcycle.com/patents)**

Before first use, please take the time to read through all of the instructions. Follow all the advice given so that you enjoy all the benefits of this high-quality product.

We recommend that you go to an approved LOOK dealer to get the bike assembled.

LOOK reserves the right to change the product specifications without prior notice in order to improve it.

### Registering your new LOOK bike

Registering your LOOK bike means that you become a preferred customer, and you also get a lifetime guarantee on your frame and fork as well as other services.


For more information on the terms, special offers and coverage relating to online registration, please visit our website [www.lookcycle.com](http://www.lookcycle.com) SERVICES section > WARRANTY POLICY > ONLINE PRODUCT REGISTRATION.


---

## IMPORTANT INFORMATION


---

**For any information relating to the FAZUA motor system, please check the specific product notice information provided with your bike. If you would like to receive it in digital format, please go to the site [www.fazua.com](http://www.fazua.com).**

 **Important notice:** LOOK E-765 GRAVEL bikes are designed and optimised to be used with a total authorised weight of 110 Kg.

 **Important notice:** LOOK E-765 GRAVEL bikes should not under any circumstances be altered. Any alteration will result in the bike's warranty becoming invalid, and most importantly the bike would no longer comply with your country's

current legislation. The same conditions apply to any part fixed to our bikes that is not a LOOK part.

 **Warning on counterfeit products:** The use of counterfeit products is very dangerous and may cause you and others to have serious falls, resulting in serious injury or even death. Under no circumstances will LOOK, its agents or its distributors be held responsible for any direct or indirect damage arising from a product that has not been designed, manufactured and marketed by LOOK.

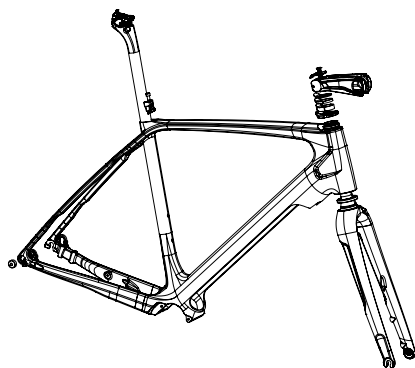
To find out more, to view IMPORTANT INFORMATION that you need to know and to learn about WARNINGS ON COUNTERFEIT PRODUCTS please go to our website [www.lookcycle.com](http://www.lookcycle.com) and read through the manual, as well as the motor unit instructions at [www.fazua.com](http://www.fazua.com). Section SERVICES > WARRANTY POLICY > IMPORTANT INFORMATION and section SERVICES > WARRANTY POLICY > COUNTERFEIT.

If you are unable to visit our site, we can supply you with a printed copy of our warranty policies via your dealer.

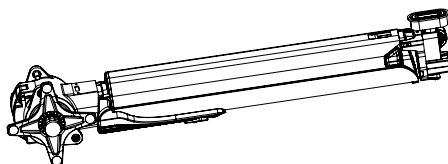
---

## INTRODUCING THE PRODUCT

---



Your endurance geometry LOOK E-765 GRAVEL kit has been designed and developed in line with LOOK research office specifications to bring you the best effort transmission, steering precision and user comfort - all with unparalleled electric assistance within our carbon architecture (detachable elements are the battery and motor, fixed elements are the gearbox and the lock system with push button).



These characteristics are possible thanks to the very high quality carbon chassis that integrates a German Fazua motor system ([www.fazua.com](http://www.fazua.com)).

---

## PRE-INSTALLATION LAYOUTS

---

Your bike must comply with the requirements set out in current national law and in current traffic standards. If it does not do so, you are exposing yourself to the risk of a serious accident and/or penalties. If you make alterations of a technical nature, then you should comply with the relevant national highway code and the standards in force. If you do not do so then you are exposing yourself to the risk of a serious accident. Before you get on your bike for the first time in a different country, it is recommended that you familiarise yourself with the applicable regulations in force.

Never ride without having your hands on the handlebar. You could have a serious fall, and risk getting fined. You should always have at least one hand on the handlebar. Do not become distracted, do not listen to music, and do not use a phone while you are on your bike. If you do not concentrate on the traffic you risk having a serious accident or a bad fall.

Your bike comes with:

- its Fazua motor system (a removable motor system & battery in the diagonal tube)
- the assistance control system fixed onto the handlebar arch, the speed sensor on the rear left base
- its own specific frame fittings (derailleur hanger for Mavic Speed Release Ready axle system, and locking pin integrated into the horizontal tube).
- the Look mini-case with fitting options (includes notices, certification kits and charger).

Before you make your first trip, you will have to adjust the bike to your height. If you do not do this,

you risk losing control of the bike and having a fall. We recommend that you ask your dealer to handle all of the assembly and adjustment operations. If you do not do this, some parts might come off if they have not been properly assembled or tightened. If anything like this happens during a trip, you could also cause serious harm.

Ask your dealer to show you how to handle your bike, and to show you the specific features of your new electric-assist bike. If you do not do this you might be unsure about something, and this could result in death, serious injury and/or damage to property.

Test the electric assistance and braking functions in a safe place before venturing out onto a public road. You should do this even if you have already used this kind of machine. It is possible that the assistance function or the progressive nature of the brakes might be different from other bikes you have become used to. You run the risk of causing a serious accident if you do not test how the bike works beforehand. Try out the bike for long enough to feel safe on it. If you find yourself in a situation that you consider to be dangerous, get off the bike.

The same applies to riding the bike throughout its life: you should check that the brakes and the electric assistance function are working properly, and also that the entire headset handles properly. Do not ride your bike if it is not in perfect working order. If you have any doubt about the bike's working order, take it to a dealer to get it checked out.

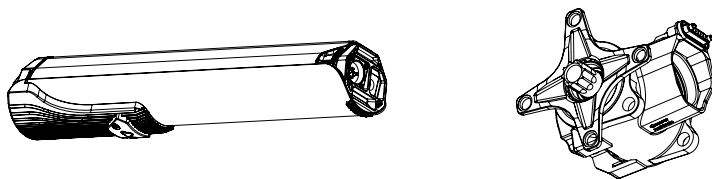
All tightening systems must comply with manufacturer recommendations. Failure to do so exposes you to the possibility of a serious fall. Finally, it is in your interest to always wear suitable protective clothing.

---

## BATTERY MOTOR UNIT - DRIVE AXLE

---

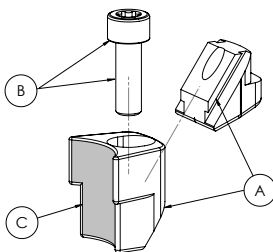
If you wish to find out more about how to use and handle the integrated motor system, you should consult the Fazua manual provided with your bike, as well as the very comprehensive website [www.fazua.com](http://www.fazua.com).




---

## ADJUSTING THE SEAT POST HEIGHT

---



6 N.m TORQUE

To adjust the seat post height, you will need to manipulate the locking mechanism that is part of the framework.

Please be aware that this locking mechanism, referred to as a locking pin lock mechanism, must be tightened to a torque setting of 6 N.m to ensure that the surrounding components do not deteriorate, and to ensure that the adjusted seat is maintained to an optimal level.

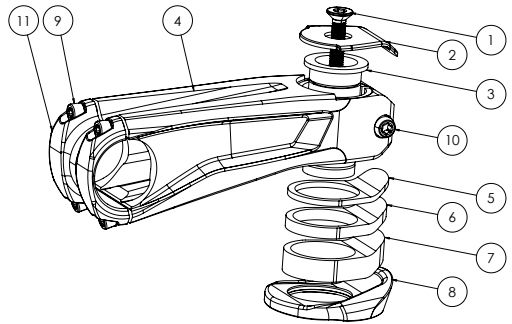
If you dismantle or reassemble the bike during maintenance or upkeep operations, or if you are replacing a part, then you must do the following:

- Grease the sliding surfaces (A)
- Grease the threads and beneath the screw head (B)
- Degrease the textured part in contact with the seat tube (C)

## STEM

The stem and crosspiece assembly has a specific set-up for the purposes of the overall design, and for integration purposes. The fork pivots are likewise specially made so that they are perfectly able to withstand the extreme stresses to which these bikes are subjected.

1	CHC M5 compression screw (4 N.m)
2	Specific JDD cover
3	HEX 6 mm Allen compression kit (6 N.m)
4	Special stem
5	Special crosspiece 2.5mm*1
6	Special crosspiece 5mm*1
7	Special crosspiece 10mm*3
8	JDD extension with O-ring
9	handlebar tightening CHC M5 (5 N.m)
10	Tube tightening CHC M6 (12 N.m)
11	Front cover



### Adjusting the height

The bike is assembled at the factory with all crosspieces to a height of 37.5mm.

#### PLEASE NOTE

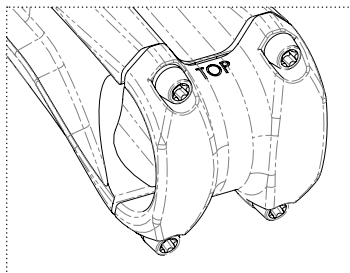
At the factory, your bike's stem is adjusted to the highest position. If you want to adjust the height and lower the seat position, it is recommended that you ask your dealer to do this for you, especially if the carbon pivot needs to be cut using special tools. Even a small mistake with cutting or positioning could result in the materials deteriorating faster than they should, and could result in a weaker set-up. The entire assembly has been carefully checked in line with the size you have received, and the slightest change to this could render the entire set-up less solid, resulting in the steering position's assembly being damaged, leading to serious injury.

Unscrew the CHC M5 compression screw (1), then loosen and take off the HEX 6 mm Allen compression kit (3). Loosen the rear M6 screw (10) of the stem (4) then remove the stem pivot. It is vital that you use the right cutting tools to cut the carbon fork stems. This is to ensure that the cut is properly done, in particular to get a cut that is perfectly perpendicular to its axis.

As far as the cut length is concerned, you only need to reduce the height of the removed crosspiece (2.5mm / 5mm / 10mm).

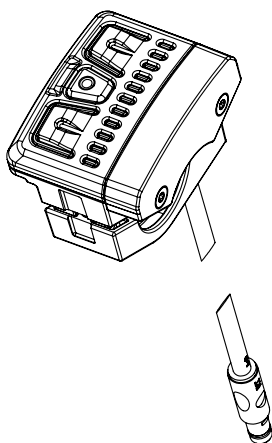
When putting the stem back in place, always make sure that the surface area of the carbon pivot cut is 5mm below the top surface of the stem body so as to leave enough space to fix the HEX 6 mm Allen compression kit, which should not go beyond the stem level. This stops it from getting in the way, and most of all ensures that there is contact with the upper cover.

**WARNING:** the front cover (11) is fitted in a particular direction, which must not be changed. The upper part labelled 'Top' must be facing upwards.



## EAB CONTROLS

The assistance control routings and the derailleur controls are combined in the frame. Your EAB's electric controls come up on your handlebar so that you can control the 3 assistance levels +/- on the buttons just by pressing on them. In addition, the charge level is shown on the 11-light graduated display. Please refer to the Fazua paper manual or to the website [www.fazua.com](http://www.fazua.com).

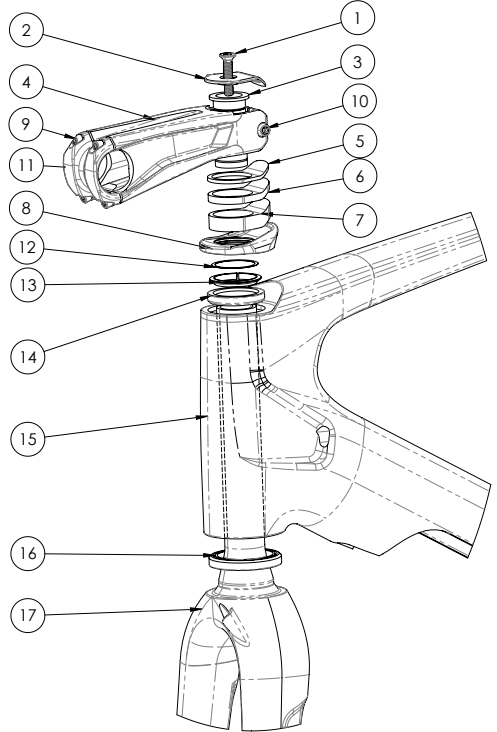




## HEADSET

The E-765 GRAVEL headset is a traditional self-adjusting system thanks to the presence of a compression kit.

1	CHC M5 compression screw
2	Specific JDD cover
3	Compression kit
4	Special stem
5	Special crosspiece 2.5mm*1
6	Special crosspiece 5mm*1
7	Special crosspiece 10mm*3
8	JDD extension with O-ring
9	handlebar tightening CHC M5 (5 N.m)
10	Tube tightening CHC M6 (12 N.m)
11	Front cover
12	0.25mm micro block
13	Compression split ring
14	Upper 1 1/8" bearing
15	Frame with carbon supports
16	Lower 1 1/2 bearing
17	Monobloc fork



1 / Grease the upper part of your frame (15) and place the upper 1"1/8 bearing (14) on this part.

2 / Grease the lower part of your frame (15) and your fork (17) and place the lower 1"1/2 bearing (16) in the frame, taking care to position the chamfer outside the bearing going towards the inside of the steering pin, then insert your fork into the frame.


3 / Slide the split compression ring (13) onto the fork as far as the upper bearing.

4 / Slide the stem (front cover including the 4 screws with anaerobic adhesive).

5 / Position the compression kit (3) and the upper cover (2).

6 / Tighten the compression kit (3) in the fork pivot to a torque of 8 N.m, then adjust the headset using the CHC M5 (1) compression screw to a torque of 4 N.m, then tighten the stem screw M6 (10) to a torque of 12 N.m.

---



**WARNING:** The CHC M5 (1) compression screw is not for tightening the stem, but is for adjusting the direction.

---

## MECHANICAL / ELECTRIC ROUTING

---

E-765 bikes are fitted with end caps so that they are compatible with mechanical units, and also with electric SHIMANO DI2 and SRAM ETAP systems.

---

## E-765 GRAVEL FORKS

---

The LOOK E-765 GRAVEL fork has a particular curve branch structure that is suitable for all tyre sizes, and is the best structure for coping with the practical aspects of competitive cycling (single transfer of 43mm). The profile and the carbon structure have been thoroughly researched in order to come up with very best ratios of precision, weight and rigidity in the market.

**NOTE:** For all maintenance operations, remember that the fork must be placed on a wheel. Any abnormal wear of the hangers due to abrasion against the ground is not covered by the LOOK guarantee.

---

## BRAKE ASSEMBLY

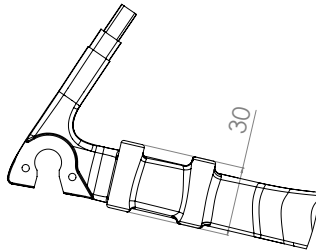
---

This is a standard disc brake assembly on a fork and cables. The only specification that is unique to this frame is the specific routing with the Fazua connector under the battery-motor unit.

Your bike is fitted with hydraulic disc brakes measuring  $\varnothing 160\text{mm}$  at the front and  $\varnothing 140$  or  $\varnothing 160\text{mm}$  at the rear (depending on specifications) to ensure good braking action regardless of weather conditions.

The front calliper fixing screws are standard, and the rear screws going across the frame (frame height of 30mm) are specific (37mm).

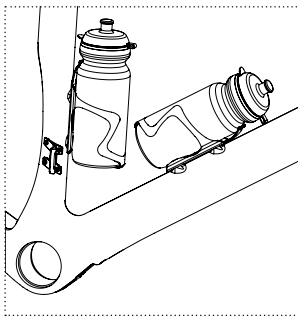
**NOTE:** When undergoing any maintenance operations, please refer to the brake manufacturer notices.



---

## HYDRATION

---



Your LOOK E-765 GRAVEL is equipped with inserts for securing two bottle holders on the saddle tube and the diagonal tube. There are two possible positions (2 inserts on the saddle tube and 3 inserts on the diagonal tube) (Fig. 28). You can choose where to put the bottle using the 3 inserts, placing it in a low position if there is no bottle placement on the saddle tube. Remove the four M5 screws using a 4mm Allen key. Fit the bottle-holders (refer to the relevant product instructions) and then tighten the screws, having greased them, to a torque of **3 Nm**.

**Warning:** You are strongly advised to only use screws that came with the frame.

---

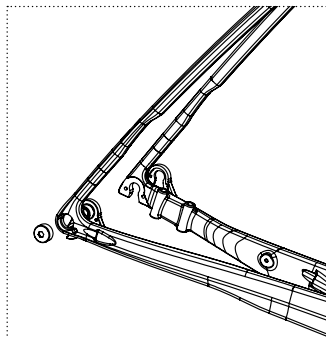
## FITTING THE WHEELS

---

Our fork legs are designed with safety lugs.

The bike is specially designed with the standard Mavic Speed release Ready system. This is a thru-axle system tightening system, and there is no need to completely remove the axle. Once the axle has been unscrewed, then it simply has to be shifted slightly outwards for the wheel to be removed. All you have to do is follow the Mavic instructions [www.mavic.com](http://www.mavic.com).

E-765 GRAVEL bikes are compatible with tyres whose dimensions do not exceed 700\*40C or 27.5"x2.1" MAXIMUM.




---

## MAINTENANCE

---

It is important to check and maintain your product. This is for your safety, and to ensure a long product life.

Poorly maintained bikes and components can break or malfunction, possibly leading to an accident in which you could be killed, seriously injured or paralysed.

The bike is made of mechanical parts that are vulnerable to wear and tear. All bike components have a limited life expectancy. That is why it is important that the bike is regularly checked and maintained, so that no one element of the bike reaches the end of its life during usage.

Riding the bike on poorly maintained roads or in rainy weather, or undergoing repeated shocks or falls, will result in its life expectancy being significantly reduced.

The bike must be cleaned and greased after every trip. This will ensure that it functions to an excellent

standard, and keeps you safe. If you have any concerns at all after any shock or fall, then you should take your bike in to get the frame and parts checked.

Composite materials can get damaged without this damage being visible, so it is better to get it checked by a professional. Material fatigue can lead to a fracture, and you will not be able to see any sign of the extent of the internal damage to the structure that can arise as a result of the many stresses on the bike when riding on a poorly maintained road, or when riding on dirty roads or close to the sea.

To find out more about the maintenance you need to do, please go to our website [www.lookcycle.com](http://www.lookcycle.com) in the section SERVICES > WARRANTY POLICY > MAINTENANCE and read through the manual, along with the motor unit instructions at [www.fazua.com](http://www.fazua.com).

---

## AFTER-SALES SERVICE

---

Our manufacturing process is very thorough indeed, however in the unlikely event that a defect occurs or if a repair is required, please go to your approved LOOK dealer and take the defective product along, together with your purchase receipt, and point out the malfunction.

---

## WARRANTY

---

### Statutory guarantee

LOOK guarantees its bikes/frames against all faults and hidden defects (1) for a period of two years (2) from the date of purchase via its approved agents and sellers in the country in which the product has been bought.

(1) Hidden defects are only covered in French law. § 1641 to 1649 of the French civil code.

(2) Some countries or States allow a longer time limit for an implicit guarantee, and/or for the exclusion or limitation of direct or consequent damages. This suggests that the limit referred to above does not apply. This limited warranty gives you specific legal rights, and possibly other rights too, which vary depending on local legislation.

Parts other than LOOK parts that have been fixed onto our bikes are subject to the same legal guarantee conditions. Any assertion of guarantee rights in respect of a component or part must be made to the relevant manufacturer or seller. Under no circumstances will LOOK, its agents or its distributors be held responsible for any direct or indirect damage arising from a product that has not been designed, manufactured and marketed by LOOK.

For further information on the legal guarantee coverage, please visit [www.lookcycle.com](http://www.lookcycle.com) LOOK WARRANTY POLICY > LEGAL WARRANTY section.

### Lifetime guarantee

We go to great lengths to ensure that the high quality and reliability of our products - from the factory to the store - are such that we are happy to offer a free lifetime guarantee on LOOK bike frames and forks. This is in addition to your statutory guarantees.

For more information on the lifetime guarantee conditions and coverage, please go to our website [www.lookcycle.com](http://www.lookcycle.com) SERVICES > WARRANTY POLICY > WARRANTY FOR LIFE section and read through the manual, along with the motor unit instructions at [www.fazua.com](http://www.fazua.com)

This manual may not be used or reproduced, even partially, in any form or by any means without the prior written permission of LOOK.

**#RIDEYOURDREAM**

**lookcycle.com**